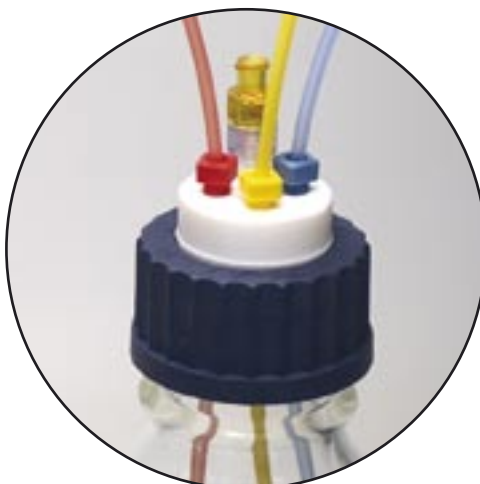




# Safety Caps

for safe fluid supply. The **air valve** avoids evaporation of hazardous gases.



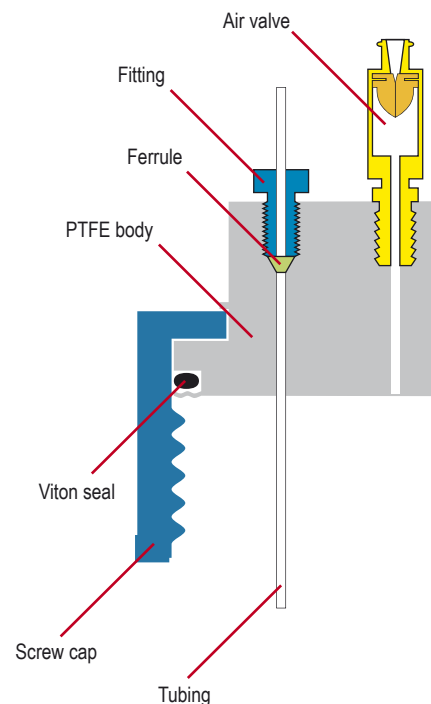
### Safety Caps - Safe Fluid Supply



Safe venting for pressure equalization during the solvent supply by integrated air valve. Protection against dangerous solvent vapours.

**Available connectors for tubing:**

- 1.6mm (1/16") OD
- 2.3mm OD
- 3.2mm (1/8") OD



Part No.	Description
107019	<b>Safety Cap I, GL 45</b> 1 port for 3.2mm (1/8") OD tubing
107909	<b>Safety Cap II, GL 45</b> 2 ports for 3.2mm (1/8") OD tubing
107910	<b>Safety Cap III, GL 45</b> 3 ports for 3.2mm (1/8") OD tubing
108032	<b>Safety Cap I, GL 45 for 3/16" tubing</b> 1 port for 4.7mm (3/16") OD tubing



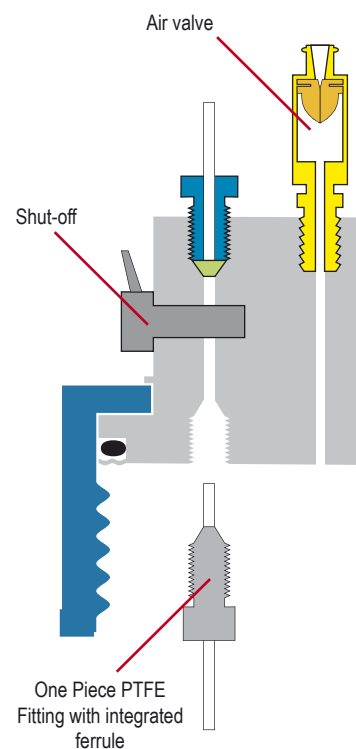
Adapters for other thread sizes available !

### Safety Caps - with Shut-Off



Remove or exchange your reservoirs easily by using the **shut-off** to stop the liquid flow. Especially recommended for HPLC use. **Available connectors for tubing:**

- 1.6mm (1/16") OD
- 2.3mm OD
- 3.2mm (1/8") OD



Part No.	Description
107119	<b>Safety Cap I with Shut-Off, GL 45</b> 1 port for 3.2mm (1/8") OD tubing
107919	<b>Safety Cap II with Shut-Off, GL 45</b> 2 ports for 3.2mm (1/8") OD tubing
107920	<b>Safety Cap III with Shut-Off, GL 45</b> 3 ports for 3.2mm (1/8") OD tubing



Adapters for other thread sizes available !



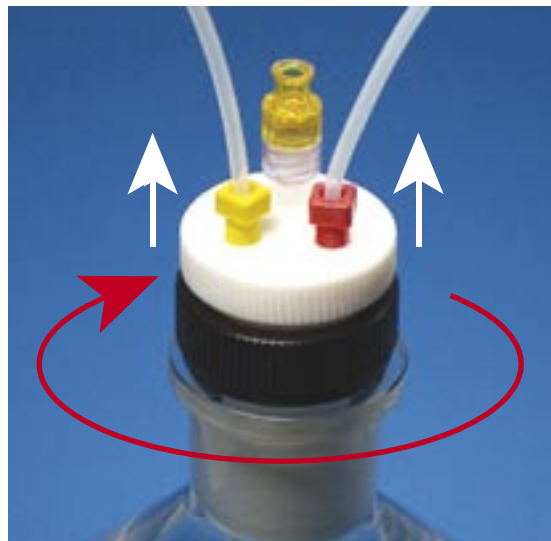
## Safety Caps (2 in 1)



Ports with shut-off **plus** 1 standard port each. **Connectors for tubing:**

- 1.6mm (1/16") OD
- 2.3mm OD
- 3.2mm (1/8") OD

Part No.	Description
107219	<b>Safety Cap II (2 in 1), GL 45</b> 1 port (standard), 1 port with shut-off
107319	<b>Safety Cap III (2 in 1), GL 45</b> 1 port (standard), 2 ports with shut-off



## Safety Cap for NS 29/32mm bottles

For ground neck bottles with NS 29/32mm diameter. With counter nut for easy disconnecting and removal even after long time of use. **Ports for tubing with 1.6mm (1/16"), 2.3mm and 3.2mm (1/8") OD.**

Part No.	Description
107607	<b>Safety Cap for NS 29/32 bottles</b> 2 ports for tubing with 3.2mm (1/8") OD



This cap is also available without tubing ports (see page 39) !

## Adapter: NS 29/32mm to GL45



Exchange your solvent reservoirs easily by using this adapter on GL45 bottles, together with Safety Cap for Ground Neck bottles (see above).

Part No.	Description
107508	<b>Adapter NS29/32mm to GL45</b> Core material: PTFE. Cap: PP.



## Adapter: GL45 to NS 29/32mm



For use with GL45 Safety Caps on bottles with a NS 29/32mm ground neck. **With counter nut** for easy disconnecting and removal even after long time of use.

Part No.	Description	Unit
107509	Adapter GL45 to NS 29/32mm Core material: PTFE. Counter nut: PP.	1 Stk.

## Safety Cap for GL80 Wide Neck Bottles



Safe solvent supply, now available for wide neck bottles with GL80 thread.

Part No.	Description
107030	Safety Cap for GL80 wide neck bottles 1 port for 1.6mm (1/16"), 2.3mm and 3.2mm (1/8") tubing
107031	Safety Cap for GL80 wide neck bottles 2 ports for 1.6mm (1/16"), 2.3mm and 3.2mm (1/8") tubing
107032	Safety Cap for GL80 wide neck bottles 3 ports for 1.6mm (1/16"), 2.3mm and 3.2mm (1/8") tubing



Also available with multiple ports for other tubing sizes !

## Air Valve for Safety Caps



Appropriate for all Safety Caps. Recommended service life: **6 months**.

Part No.	Description	Unit
107010	Air Valve for Safety Caps	1 Stk.



Find more useful accessories and supplies from page 35 to 49 !